

## Bluetooth™ Serial Port Plug - F2M01C1

### Datasheet

---

### Features

- Provides transparent RS-232 serial cable replacement
- No need for external drivers
- External power can be supplied via D-SUB connector or via DC connector
- Implements the Bluetooth Serial Port Profile and Generic Access Profile
- Interoperability with PDA, laptops etc.
- Nominal 100m range
- Configurable for use of different baud rates and serial settings
- Easy to use windows interface available
- Small form factor 48x34x19



### Applications

The F2M01 plug can be applied to applications that currently use cables for serial communication. The Ad Hoc connectivity will give you the serial link as soon as the communicating devices are within range of each other.

Examples of possible applications are:

- Embedded systems
- Stand alone sensors
- Computer peripherals
- Domestic and industrial appliances

Free2move offers OEM usage and customization of the Serial Port Plug.

### General Description

The F2M01C1 offers a replacement of the serial cable by a wireless link based on the Bluetooth wireless technology.

The F2M01C1 Serial Port Plug is a Class 1 Bluetooth device with a very dense packing. The unit gives a nominal range of approximately 100m. No external drivers are needed. A user-friendly Windows application is included that can be used to configure the plug to suit your requirements.

The F2M01 can be used together with other Bluetooth units that support the Serial Port Profile e.g. Laptops and mobile phones.



BLUETOOTH is a trademark owned by  
Bluetooth SIG, Inc., U.S.A. and licensed to Free2move



# Bluetooth™ Serial Port Plug - F2M01C1

## Datasheet

---

### Table of contents

|          |                                    |           |
|----------|------------------------------------|-----------|
| <b>1</b> | <b>Specifications</b> .....        | <b>3</b>  |
| 1.1      | Pinout.....                        | 3         |
| 1.2      | Power supply.....                  | 3         |
| 1.3      | Power consumption.....             | 4         |
| 1.4      | Radio performance.....             | 5         |
| <b>2</b> | <b>Configuration options</b> ..... | <b>7</b>  |
| 2.1      | Connection rules and security..... | 8         |
| 2.2      | Serial protocol.....               | 9         |
| <b>3</b> | <b>Ordering information</b> .....  | <b>10</b> |

# Bluetooth™ Serial Port Plug - F2M01C1

## Datasheet

## 1 Specifications

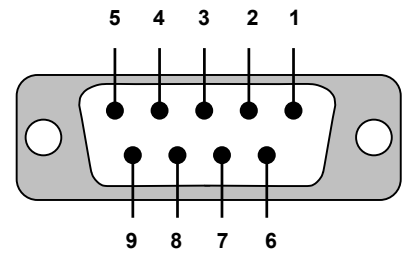
Physical size: 47x33x19 mm

Temperature range: 0°C to 70°C

Baud rate: Configurable up to 115200 baud/s

### 1.1 Pinout

| Pin | RS-232 signal | Direction     |
|-----|---------------|---------------|
| 1   | CD            | Not connected |
| 2   | TxD           | Output        |
| 3   | RxD           | Input         |
| 4   | DSR           | Not connected |
| 5   | GND           |               |
| 6   | DTR           | Not connected |
| 7   | CTS           | Input         |
| 8   | RTS           | Output        |
| 9   | Vcc Power     | Input 4-5V    |

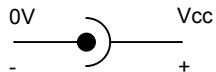


Serial Port Plug connector (female)

### 1.2 Power supply

The serial port plug needs to be powered by an external voltage of 4.0 - 5.0V.

Power can be supplied either via the DC-connector or via the DSUB-connector, pin 9.



## Bluetooth™ Serial Port Plug - F2M01C1

### Datasheet

---

### 1.3 Current consumption

Measured with 5V power supply

Peak consumption: 190mA

Endpoint unit (Bluetooth slave):

| Mode  | Average (mA) |
|---|--------------|
| No connection (default settings)  | 8.2          |
| No connection (inquiry scan disabled)   | 7.6          |
| Connected (Short range), no data transfer   | 44           |
| Connected (Short range), no data transfer<br>Sniff mode 200 ms interval             | 11           |
| Connected (Short range), no data transfer<br>Park mode 200 ms interval              | 7.9          |
| Connected, (Short range) 115.2 kbit/s master to slave                               | 45           |
| Connected, (Short range) 115.2 kbit/s slave to master                               | 58           |
| Connected, (Long range) 115.2 kbit/s master to slave                                | 50           |
| Connected, (Short range) 115.2 kbit/s master to slave<br>Sniff mode 125 ms interval | 29           |
| Connected, (Short range) 115.2 kbit/s slave to master<br>Sniff mode 125 ms interval | 29           |

Connecting unit (Bluetooth master):

| Mode  | Average (mA) |
|---|--------------|
| No connection (default settings)  | 83           |
| Connected (Short range), no data transfer   | 13           |
| Connected (Short range), no data transfer<br>Sniff mode 200 ms interval             | 9.3          |
| Connected (Short range), no data transfer<br>Park mode 200 ms interval              | 9.5          |
| Connected, (Short range) 115.2 kbit/s full duplex                                   | 48           |
| Connected, (Long range) 115.2 kbit/s full duplex                                    | 65           |
| Connected, (Short range) 115.2 kbit/s master to slave                               | 39           |
| Connected, (Short range) 115.2 kbit/s slave to master                               | 36           |
| Connected, (Short range) 115.2 kbit/s slave to master<br>Sniff mode 125 ms interval | 21           |

## Bluetooth™ Serial Port Plug - F2M01C1

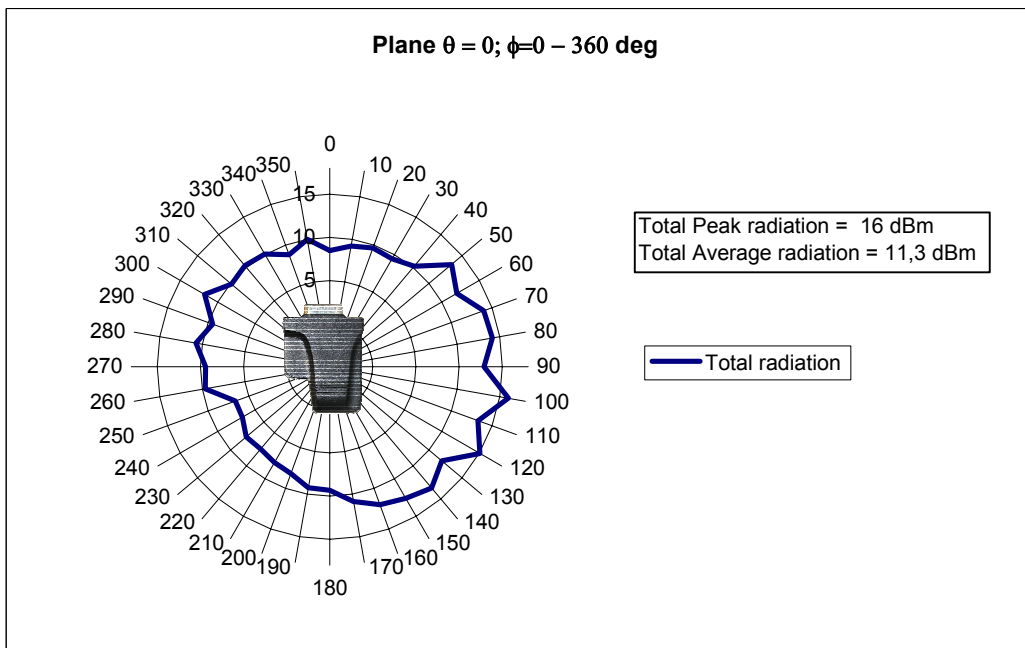
### Datasheet

### 1.4 Radio performance

| Radio characteristics<br>(normal conditions) | Min | Typ | Max | Unit |
|--|-----|-----|-----|------|
| Transmit power                               | -   | 11  | 16  | dBm  |
| Sensitivity at 0.1% BER                      | -   | -85 | -90 | dBm  |

The radiation efficiency has been measured in two planes. Common for both planes is that the D-SUB connector is pointing against the measurement point for  $\phi = 0$  degrees.

#### Plane 1 ( $\theta = 0$ degrees)

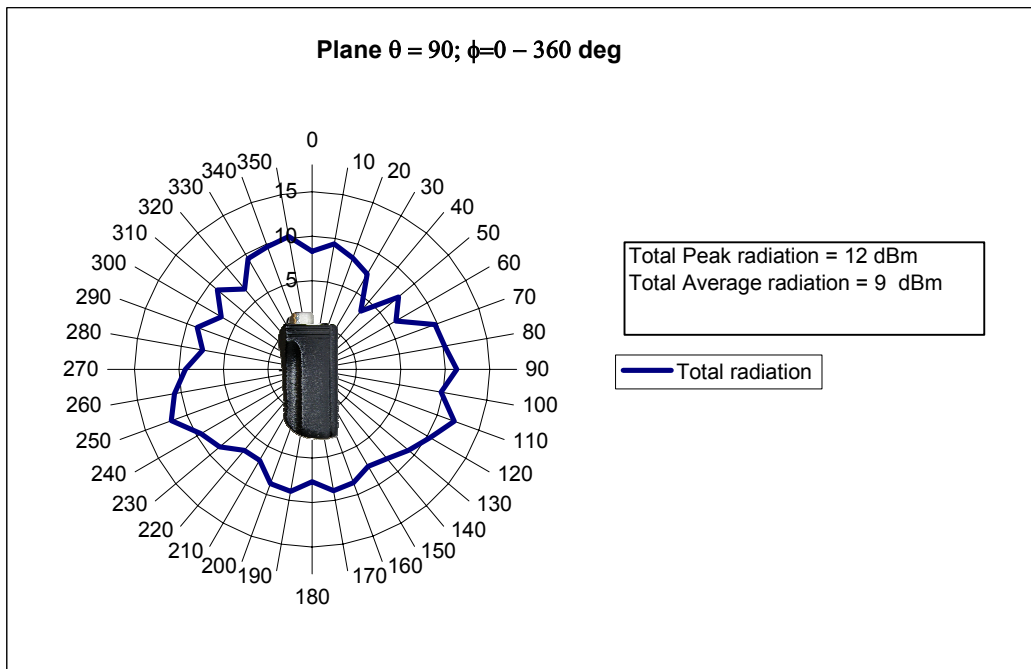


## Bluetooth™ Serial Port Plug - F2M01C1 Datasheet

**Plane 2 ( $\theta = 90$  degrees)**



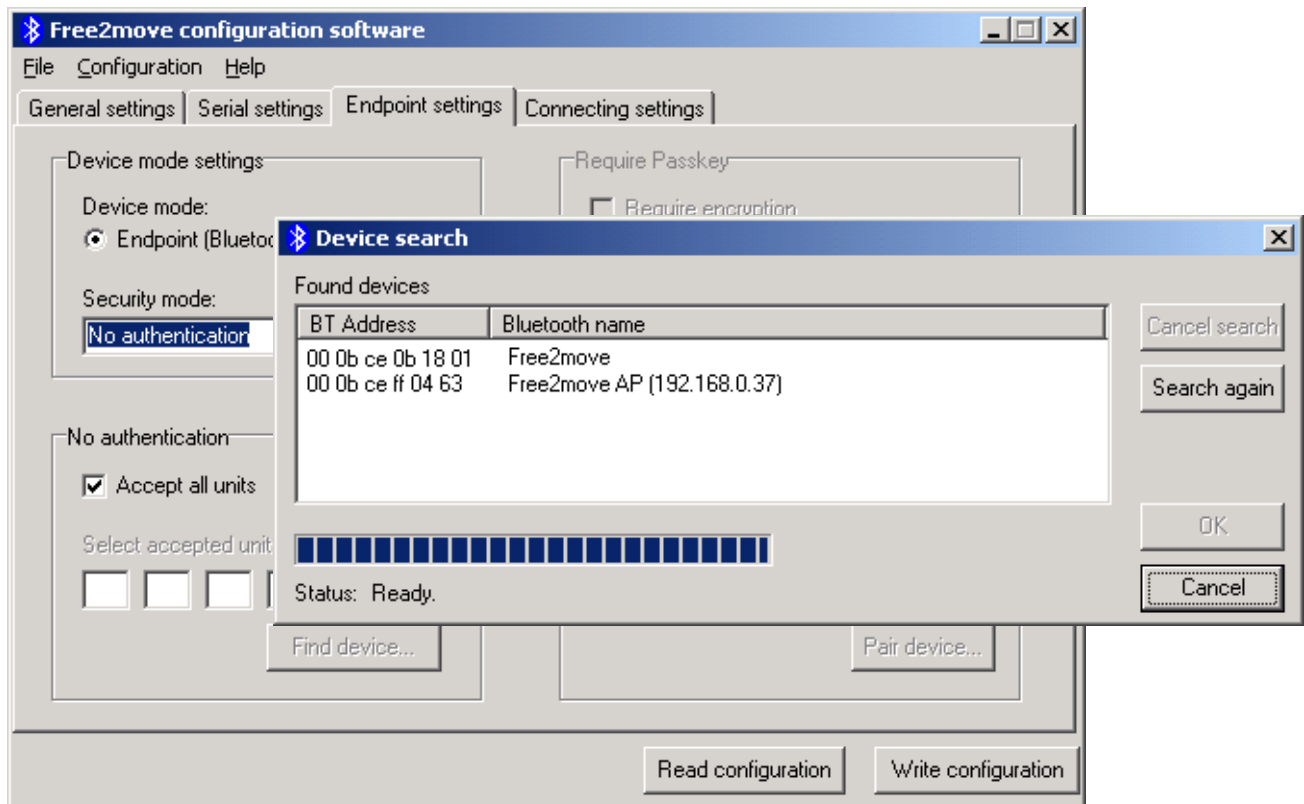
Measurement point



## Bluetooth™ Serial Port Plug - F2M01C1 Datasheet

### 2 Configuration options

A complimentary Free2move software package accompanies your serial port plug and can be installed on systems running Windows 98, ME, 2000 and XP. This Windows™ based software is used for configuration of the serial interfaces, connection rules and for the security of your device.



With the plug connected to the serial port of a PC and the configuration software running; the plug can be configured to work in different situations and also to meet varying requirements for security.

The serial interface of the plug can be configured to work with almost every piece of equipment that uses a serial port. See the table below for the configuration options.

| Setting      | Configuration alternatives      |
|--------------|---------------------------------|
| Baud rate    | 2400 –115200 (baud/s)           |
| Stop bits    | 1 or 2                          |
| Data bits    | 8                               |
| Parity       | None, Odd or Even               |
| Flow control | Hardware (i.e. CTS/RTS) or None |

When streaming data continuously or sending large blocks of data it is recommended to use hardware flow control.

## Bluetooth™ Serial Port Plug - F2M01C1 Datasheet

### 2.1 Connection rules and security

The F2M01 Serial Port Plug can be configured to accept connections (endpoint mode) or to connect other Bluetooth units (connecting mode). There are also extensive configuration options for power save modes.

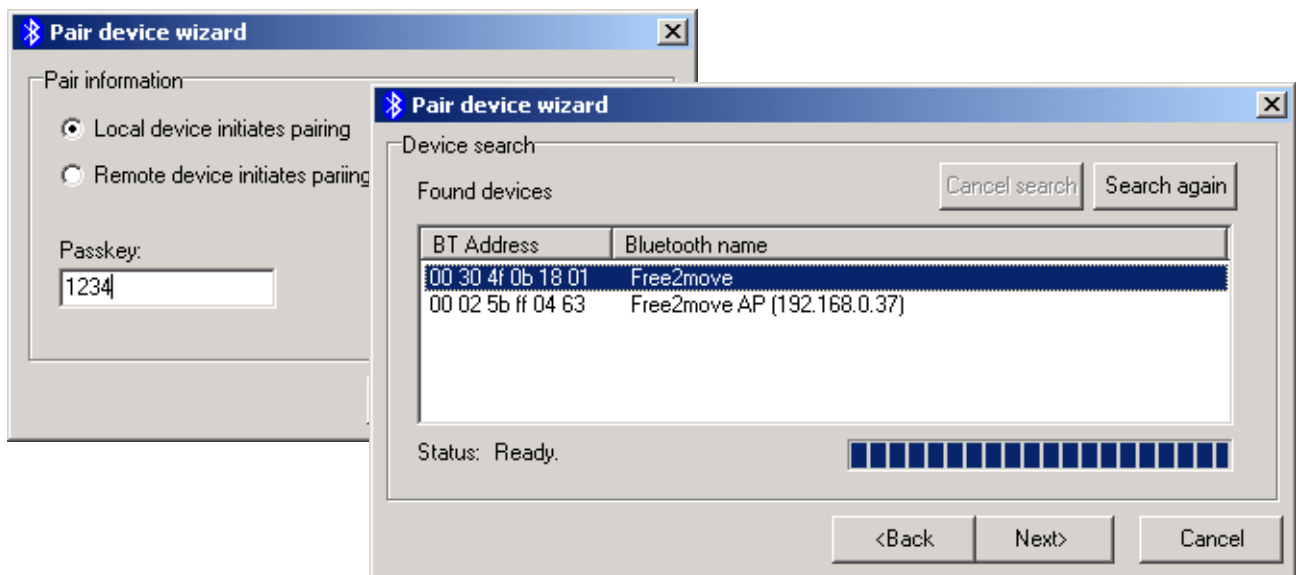
When configured in endpoint mode (Bluetooth slave) the plug can be detected and connected by other Bluetooth equipped units. Three different levels of security make it possible to configure the plug to fit your demands for secure communication.

- No authentication
- Require passkey
- Require paired device

In Connecting mode (Bluetooth master) the F2M01 will initiate connections with another unit; the plug will continue to try establishing a connection until successful. Two security options are available in connecting mode

- Connect without passkey
- Connect to paired device

Paired Bluetooth devices have a complete pairing procedure with authentication. As a result they both know that the remote Bluetooth unit is a trusted device. To simplify the pairing procedure the configuration software includes a *Pair device wizard*. When using the passkey or the paired device options, encryption can be used to ensure secure communication.



To make it easier to choose which device to connect to or accept connections from, the configuration software includes a device search feature where the plug searches for devices in the neighbourhood. The devices that are found are presented by name and Bluetooth address. If the plug should connect or accept a device that is not present when the configuration is complete, the user can manually enter the Bluetooth address of the remote device.





## Bluetooth™ Serial Port Plug - F2M01C1

### Datasheet

---

### 2.2 Serial protocol

It is also possible to configure the F2M01 from a non-Windows environment using a serial protocol. More information about this is available in the Wireless UART firmware datasheet, which is available on request.

## Bluetooth™ Serial Port Plug - F2M01C1

### Datasheet

---

### 3 Ordering information

The F2M01C1 is available for delivery.

| Part nr:    | Description   |
|-------------|---|
| F2M01C1-000 | Standard version:<br>With the default settings,<br>Endpoint plug that allows all units to connect (slave).<br>Baud rate: 38400 baud/s<br>Data bits: 8<br>Parity: None<br>Stop bits: 1<br>Flow control: On |

The Serial Port Plug is also available in OEM versions and can be customized to fit your needs.

Please use our website: [www.free2move.se](http://www.free2move.se) for more information about local distributors and dealers.

## Bluetooth™ Serial Port Plug - F2M01C1

### Datasheet

---

### Contact information

For support questions please contact your local dealer  
For more information see our website: [www.free2move.se/](http://www.free2move.se/)  
For other purposes use: [info@free2move.se](mailto:info@free2move.se)

Local dealer/distributor

A large, empty rectangular box with a dashed border, intended for the user to write the name of their local dealer or distributor.

The information given herein includes text, drawings, illustrations and schematics that are believed to be reliable. However, Free2move makes no warranties as to its accuracy or completeness and disclaims any liability in connection with its use. Free2move will in no case be liable for any incidental, indirect or consequential damages arising out of sale, resale, use or misuse of the product. Users of Free2move products should make their own evaluation to determine the suitability of each such product for the specific application.